



G 150

LIST OF THE EXPLODED VIEWS



SHELL ASSY

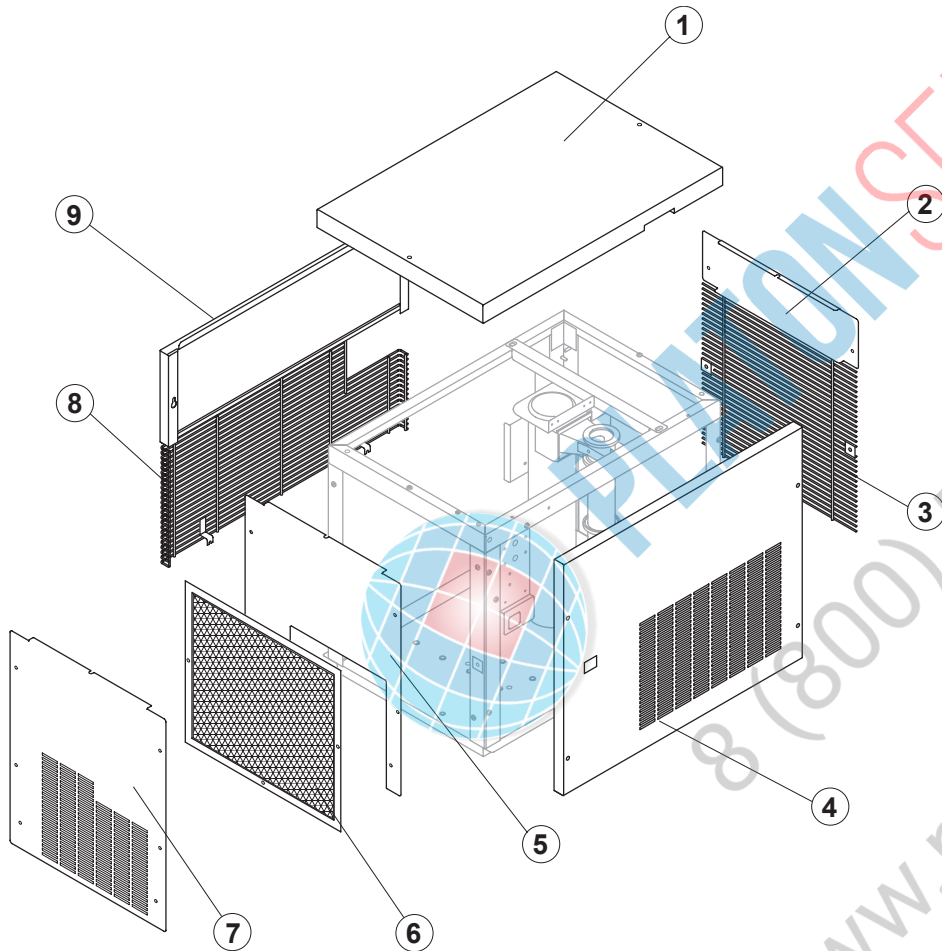
COOLING SYSTEM

EVAPORATOR

HYDRAULIC CIRCUIT

ELECTRIC PARTS

Rev. 01 - 17/07/2009



Common Parts

Ref.	Spare Description	Code
1	Top	221122
2	Right Side Panel	221124
3	Side Grill	D12061
4	Front Panel Assembly	C221125B
8	Back Grill	D12060
9	Back Panel	221126

Parts for Air-Cooled Version Only

Condensation		Code
5	Left Side Panel	221123
6	Filter	18163

Parts for Water-Cooled Version Only

Condensation		Code
7	Left Side Panel	221135



Common Parts

Ref.	Spare Description	Code
1	Compressor	See Table
5	Molecular Drier	14009
6	Vacuum-Charge Valve Body	14007
7	Vacuum-Charge Valve Device	14005
8	Vacuum-Charge Valve Plug	14006

Parts for Air-Cooled Version Only

Ref.	Spare Description	Code
2	Sucking Fan	20031
3	Air Condenser	20558

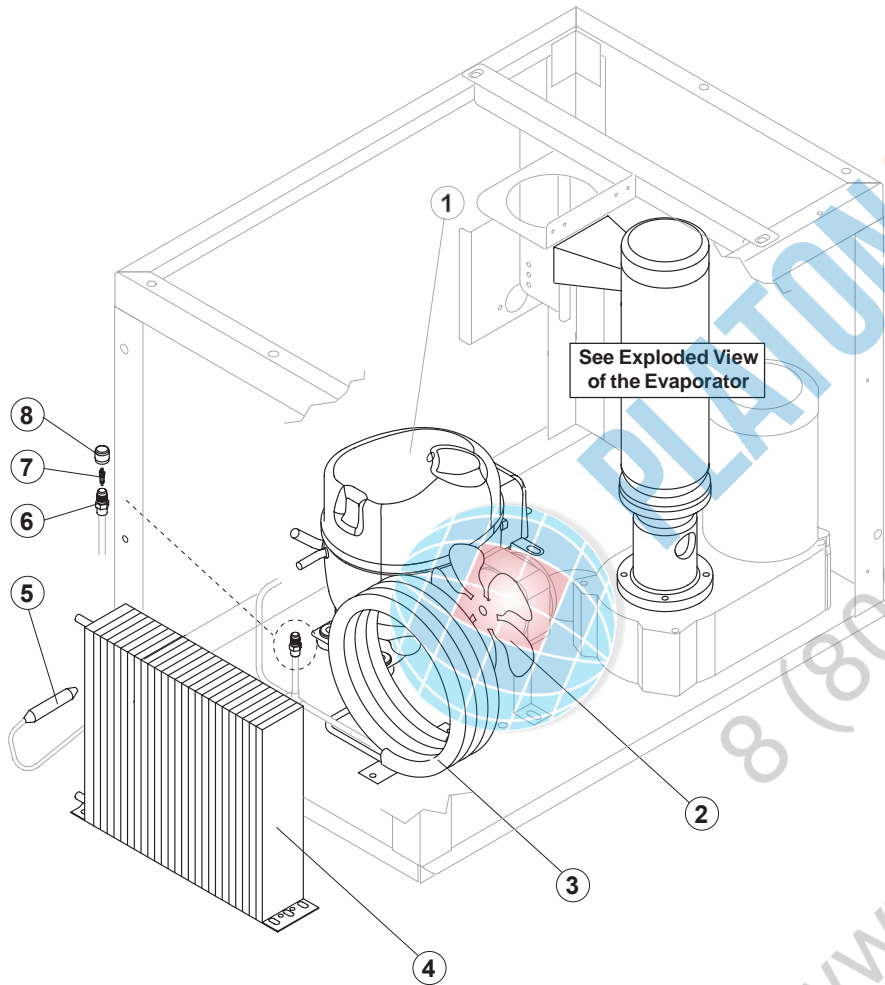
Parts for Water-Cooled Version Only

Ref.	Spare Description	Code
2	Sucking Fan	10213
4	Water Condenser	14014

Ref. 1 - Compressor

Tension	Code
T11	23832
T12	23578A
T13	23679
T19	23679

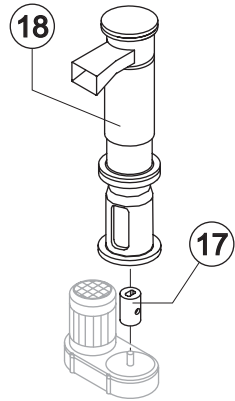
Rev. 01 - 17/07/2009



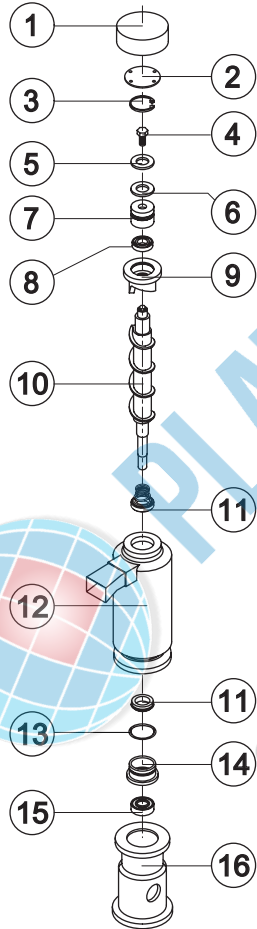


G 150

EVAPORATOR



C11152

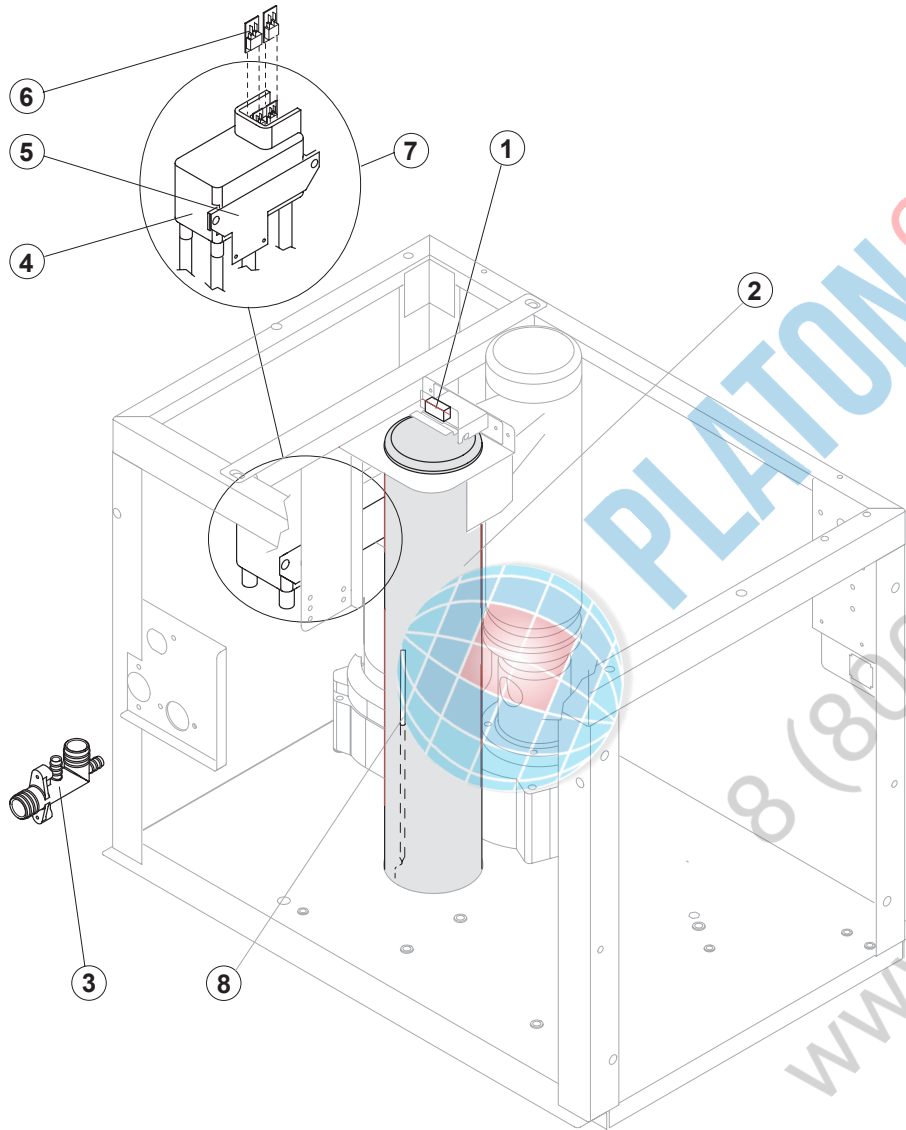


Ref.	Spare Description (Current Version)	Code
1	Insulating Cap	18170
2	Closing Disk	22825
3	Seeger	20043
4	Stainless Steel Screw	20663
5	Shimming Disk	22826
6	Self-Lubricating Disk	20631
7	Stainless Steel Thrust Bearing	20686
8	OR Gasket 3087	20688
9	Ice Breaker	20626
10	Auger	20783
11	Ceramic Seal	20937
12	Insulated Evaporator	C11107
13	OR Gasket 3162 NBR70	20429
14	Reduction Ring	20785
15	Stainless Steel Bearing	20782
16	Flange	20629
17	Joint	D20784
18	Evaporator Assy	C11152



G150

HYDRAULIC CIRCUIT



Common Parts

Ref.	Spare Description	Code
1	Bin Level Control Microswitch	23196
2	Ice Outlet Pipe Assy	C10563
4	Double Switch Basin	10145
5	Basin Support Plate	21133
6	Microswitch	23055
7	Double Switch Basin Assembly	C10548
8	Bin bulb holder	20621

Parts for Air-Cooled Version Only

Ref.	Spare Description	Code
3	Discharges Manifold	C10052

Parts for Water-Cooled Version Only

Ref.	Spare Description	Code
3	Discharges Manifold	C10053

Rev. 01 - 17/07/2009



G 150

ELECTRIC PARTS

Common Parts

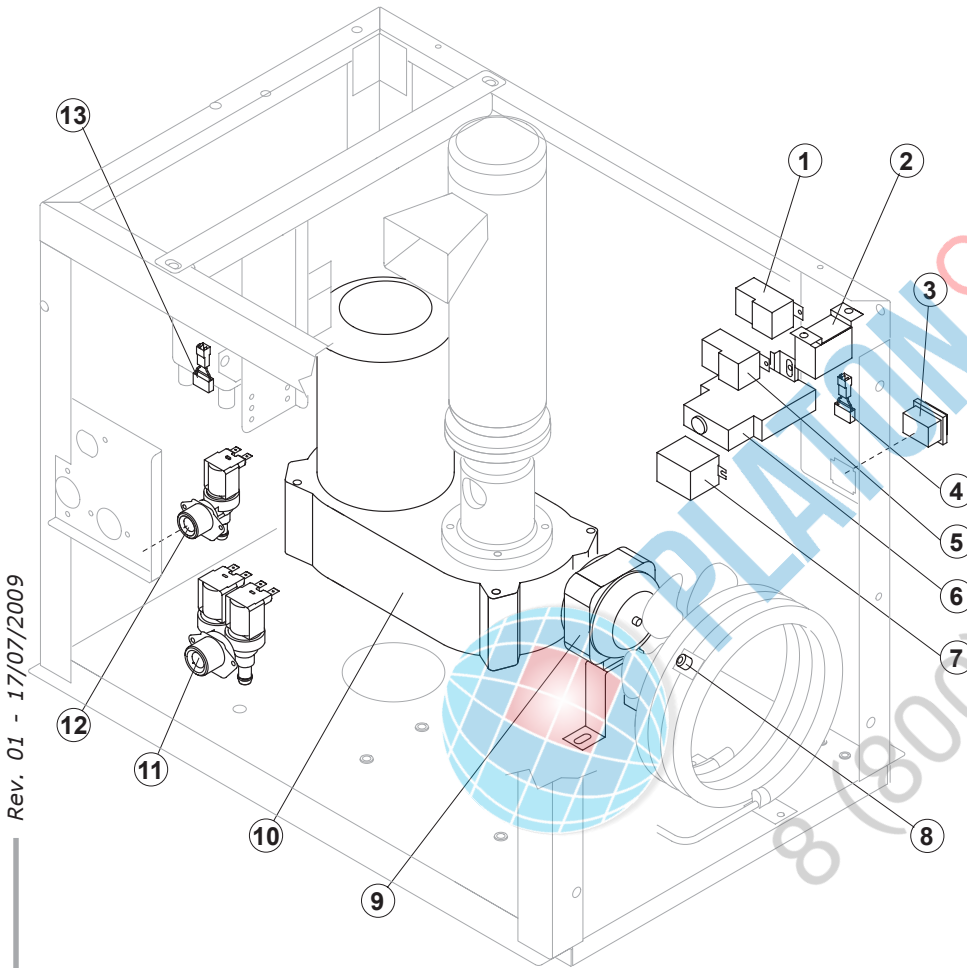
Ref.	Spare Description	Code
1	Bin Thermostat	R23005
2	Condenser Pressure Switch	See Table -
3	Green Light Switch (On-Off)	23327
4	Anti Radio Interference Filter	T11 C23459
5	Evaporator Thermostat	R23034
6	Electronic Timer	23560
7	Relay	See Table -
9	Fan Motor	See Table -
10	Gearmotor	See Table -
13	Anti Radio Interference Filter	T11 C23457

Parts for Air-Cooled Version Only

Ref.	Spare Description	Code
12	1 Way- Water Inlet Valve	See Table -

Parts for Water-Cooled Version Only

Ref.	Spare Description	Code
8	Safety Thermostat	C23114
11	2 Ways- Water Inlet Valve	See Table -



Rev. 01 - 17/07/2009

Ref. 9- Fan Motor

Tension	Air	Water
T11	23067	23029
T12	23681	23029
T13	23621	23683
T13	23621	23683

Ref. 10 - Gearmotor

Tension	Code
T11	23532
T12	23532
T13	23556
T19	23556

Ref. 11 - 2 Ways-Water Inlet

Tension	Code
T11	23010
T12	23010
T13	23261
T19	23261

Ref. 12 - 1 Way-Water Inlet

Tension	Code
T11	23115
T12	23115
T13	23410
T19	23410

Ref. 2 - Cond. Pressure Switch

Tension	Code
T11	23175
T12	23175
T13	23175
T19	23680

Ref. 7 - Relay

Tension	Code
T11	23190
T12	23190
T13	23557
T19	23557